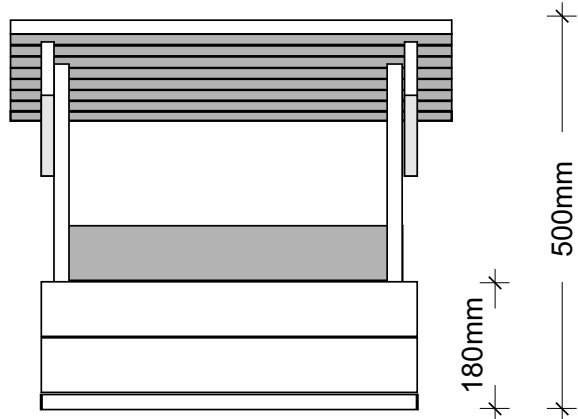
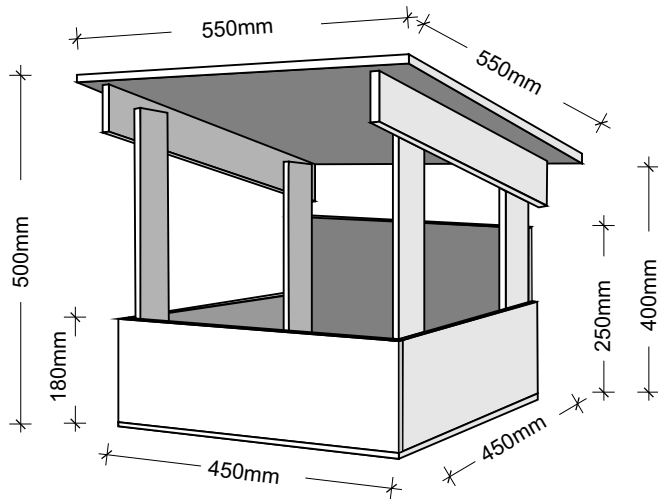
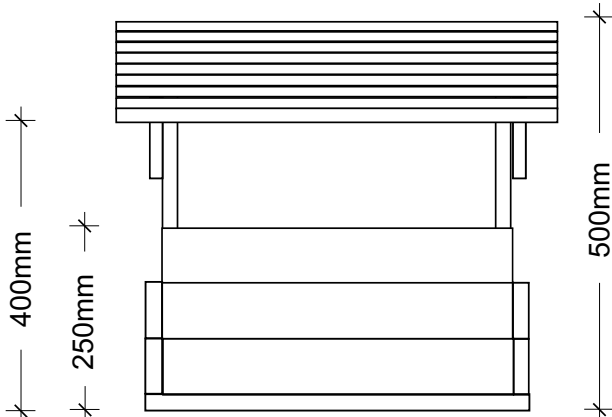


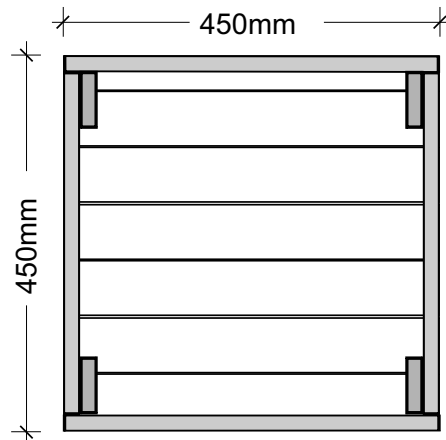
SPOTTED EAGLE OWL



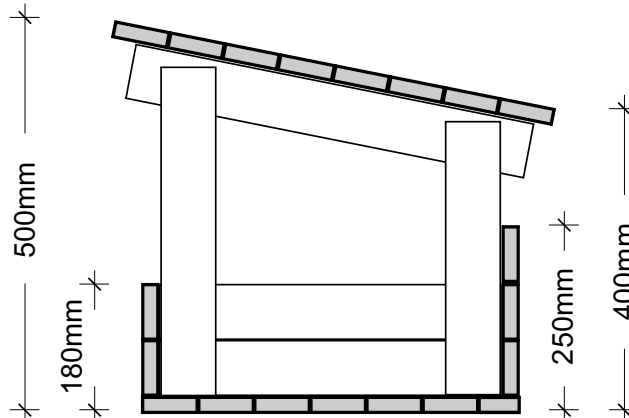
FRONT ELEVATION



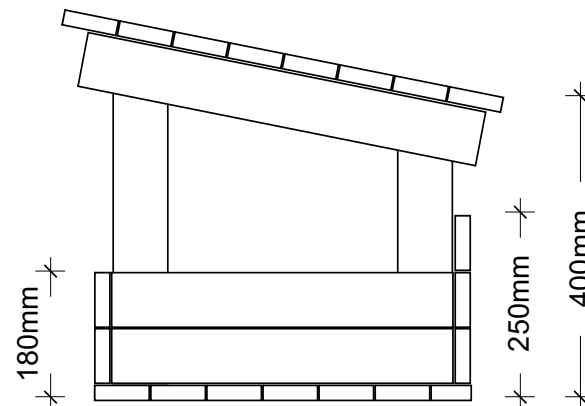
BACK ELEVATION



BASE SECTION



SIDE SECTION



SIDE ELEVATION

MATERIALS / DESIGN

- Untreated wood - recycled or bought. Planks, plywood etc
- Seal wood with non-toxic product
- Adjust plan dimensions according to your specific material sizes.
- Line the base with gravel and top with untreated wood shavings or pine needles
- Ensure there are water drainage holes in base of box
- Bee proofing (Barn Owl): Jayes Fluid painted on all sides of interior. Does not effect the owls
-

POSITION of NESTING BOX

- 4-6m above the ground, be secure and stable and avoid direct sun
- Position box out of any prevailing wind
- Have a clear flight path into the box
- Be in a quiet area (away from general household noise and pets)
- It is ideal to place box where the owl would naturally nest, an open fork of a tree (Spotted Eagle Owl/Barn Owl) or in a loft of a shed or on the under the eaves of a dwelling (Barn Owl)

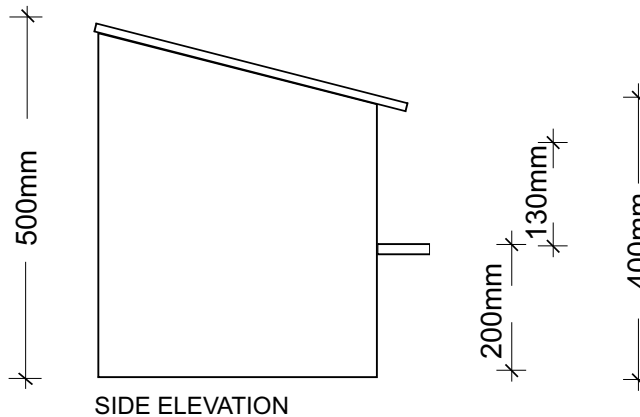
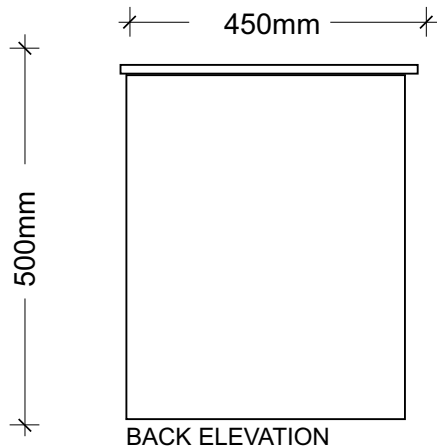
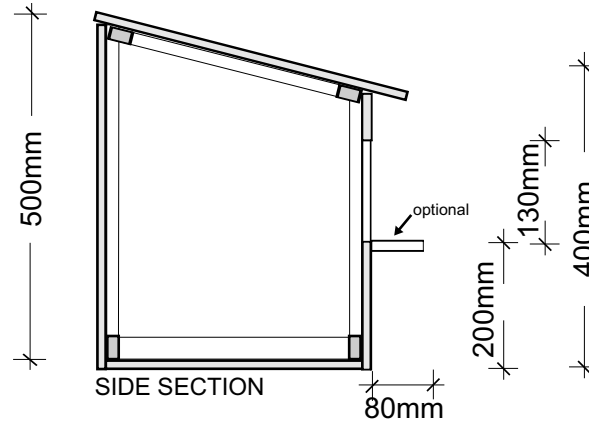
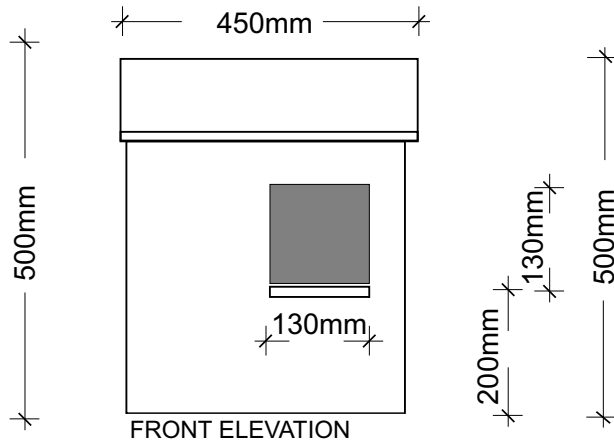
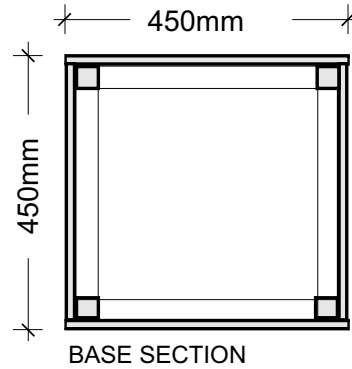
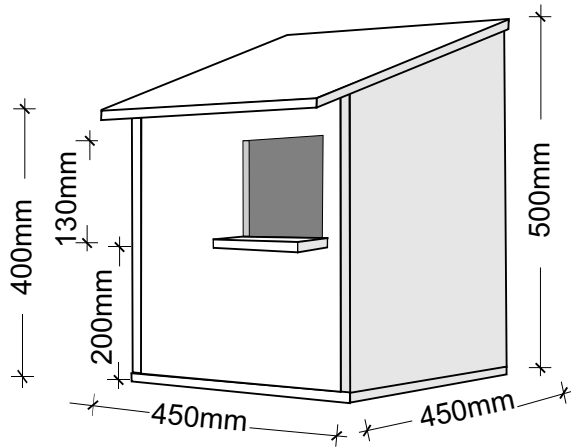
NOTES

- Spotted Eagle Owls do not use the box as a house during the year, only when they breed. Barn Owls may use the box year round.
- STOP the use of rodent poisons - (encourage neighbours to do the same)
- Do not attempt to lure owls to the box with food, this will only encourage other animals and deter the owl
- SNAKES - many dangerous snakes live on rats !! Having owls in residents, clears rats, less rats = less snakes
- SECURITY - because of old superstitions, an owls presence may well deter potential robbers from breaking in to your house !

REFERENCE / CONTACTS

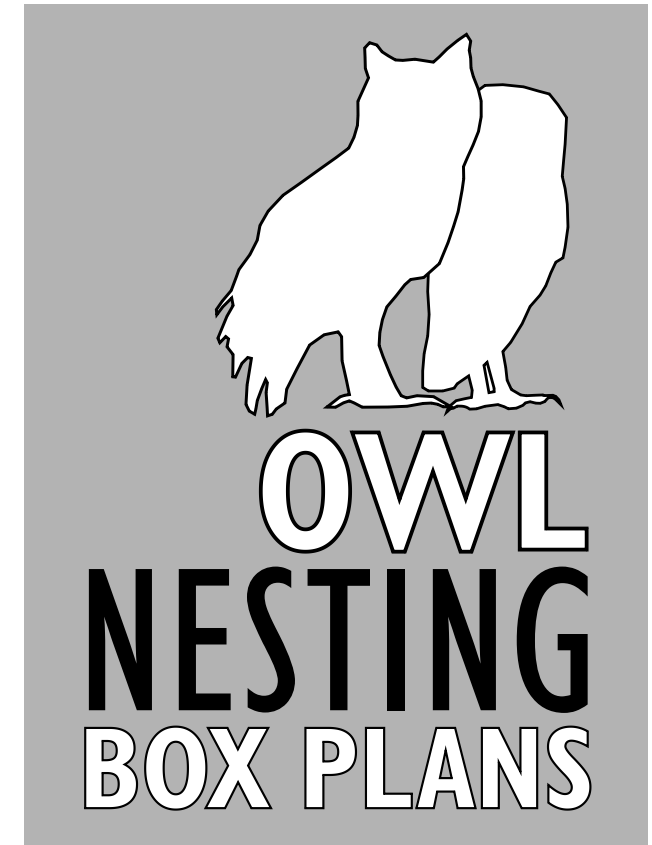
- Bo van der Lecq, Urban Raptor Conservation
012 664 6134, bo@cadcon.co.za GAUTENG
- Jonathan Haw, Eco-Solutions GAUTENG/CAPE
072 365 9777, info@ecosolutions.co.za
- Gerry Cassidy, Member Birdlife, CAPE
028 316 3412, gcassi@netactive.co.za
- Hank Chalmers, Eagle Encounters
Stellenbosch, 021 858-1826, CAPE

BARN OWL



RADICAL RAPTORS

BIRDS OF PREY REHABILITATION & AWARENESS CENTRE



PLEASE SHARE YOUR PROGRESS

Send us details and photographs of your owl box,
and when you have owls moving in to nest.

info@radicalraptors.co.za

www.facebook.com/radicalraptors

Our plans are continuously being improved and adjusted
visit our website for the latest plans and information !

www.radicalraptors.co.za
083 382 2417 / 044 532 7537